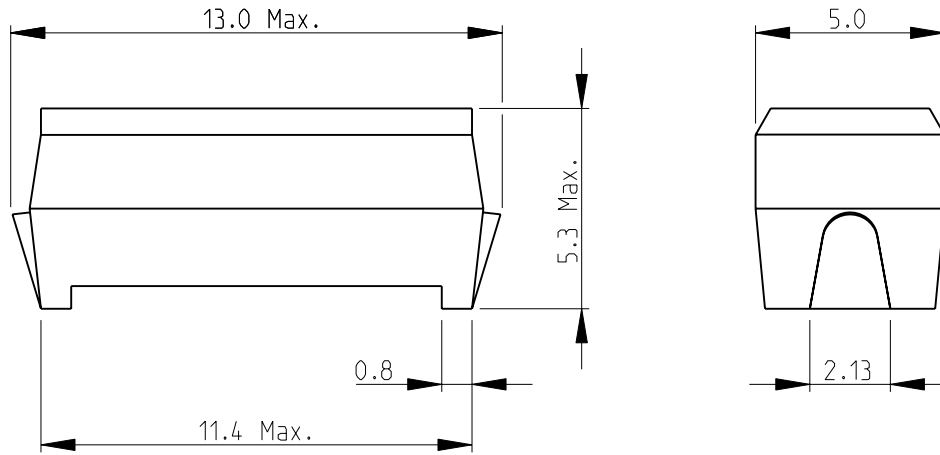


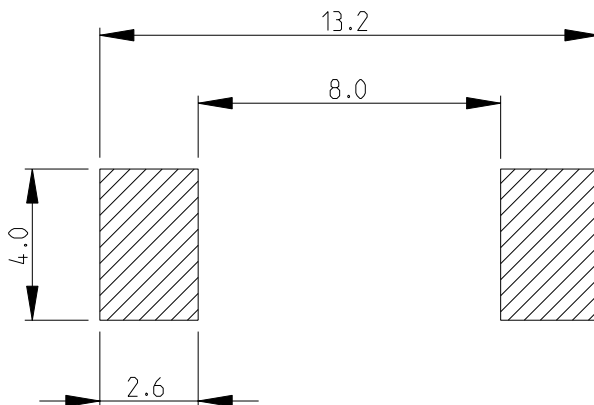
LOC	DIST	REVISIONS			
P	LTR	DESCRIPTION	DATE	DWN	APVD
E	B	BA1	REVISED PER ECO-11-005150	28MAR2011	RK HMR



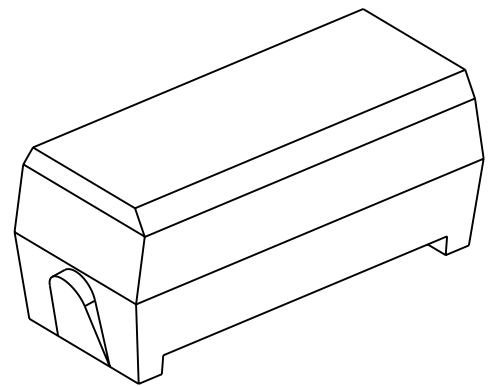
1 PACKAGING: SUPPLIED TAPED AND REELED ON 13" REELS IN QUANTITIES OF 1500 PIECES

2 FOR FURTHER INFORMATION SEE DATA SHEET FOR 3615 SERIES-HIGH CURRENT INDUCTOR SMD

RECOMMENDED LAND PATTERN



RoHS Compliant



2008


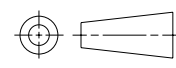
RELEASED FOR PUBLICATION

ALL RIGHTS RESERVED.

THIS DRAWING IS UNPUBLISHED.

BY -

© COPYRIGHT 2008

DIMENSIONS: mm	DWN	13-NOV-08	MATERIAL	-	FINISH	-
	CHK	13-NOV-08	 TE Connectivity			
TOLERANCES UNLESS OTHERWISE SPECIFIED:	APVD	13-NOV-08				
	0 PLC	±0.2	HIGH CURRENT INDUCTOR SMD			
1 PLC	±0.1	PRODUCT SPEC	SERIES 3615			
2 PLC	±	APPLICATION SPEC	SIZE	CAGE CODE	DRAWING NO	RESTRICTED TO
3 PLC	±	-	A 4	00779	©- 1624097	-
4 PLC	±	-	CUSTOMER DRAWING			
ANGLES	±5°	WEIGHT	SCALE			
		0.7g max.	5:1			
		SHEET		1 OF 1		REV
						BA1